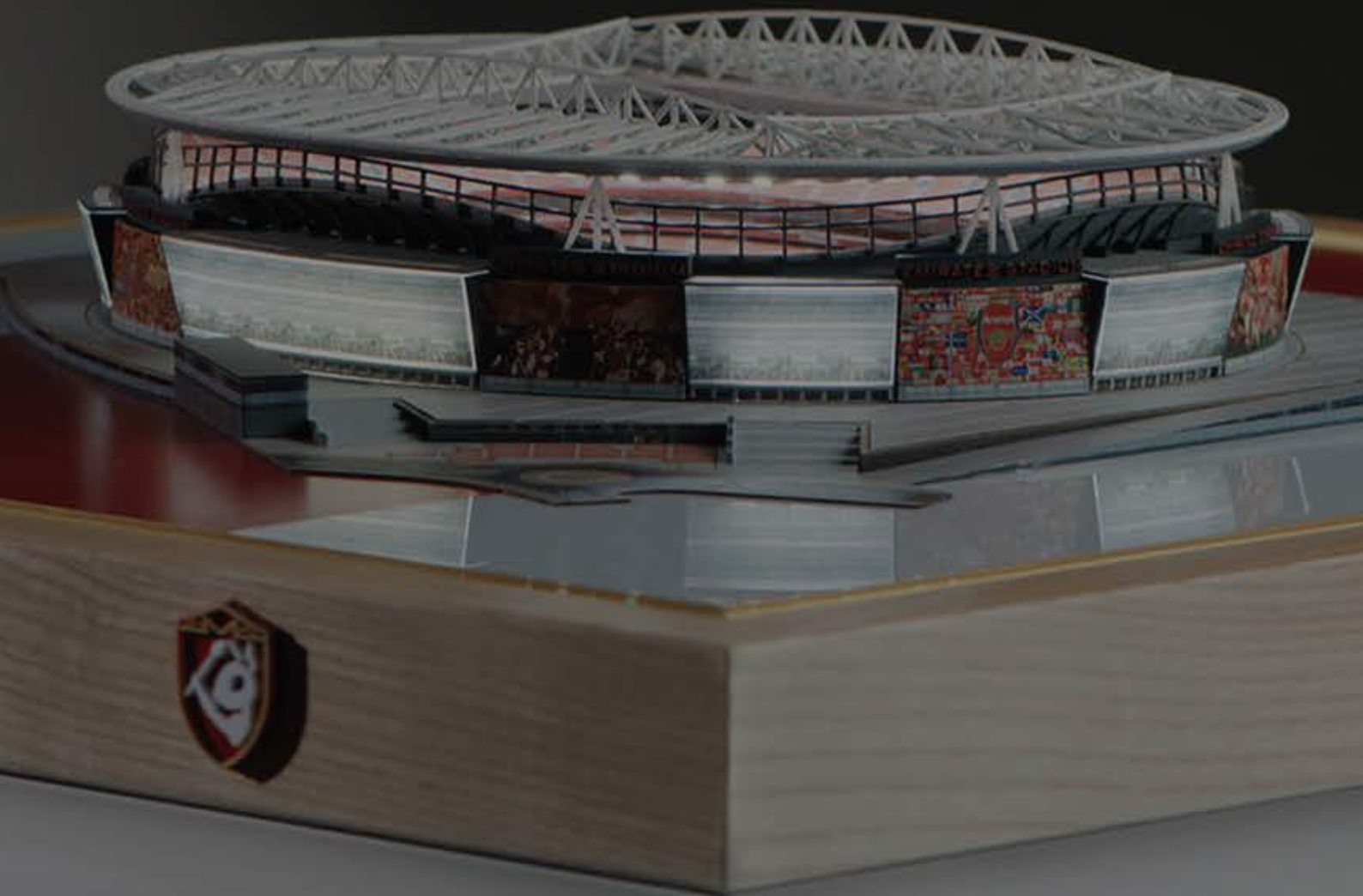




EMIRATES STADIUM, ARSENAL

LIMITED EDITION



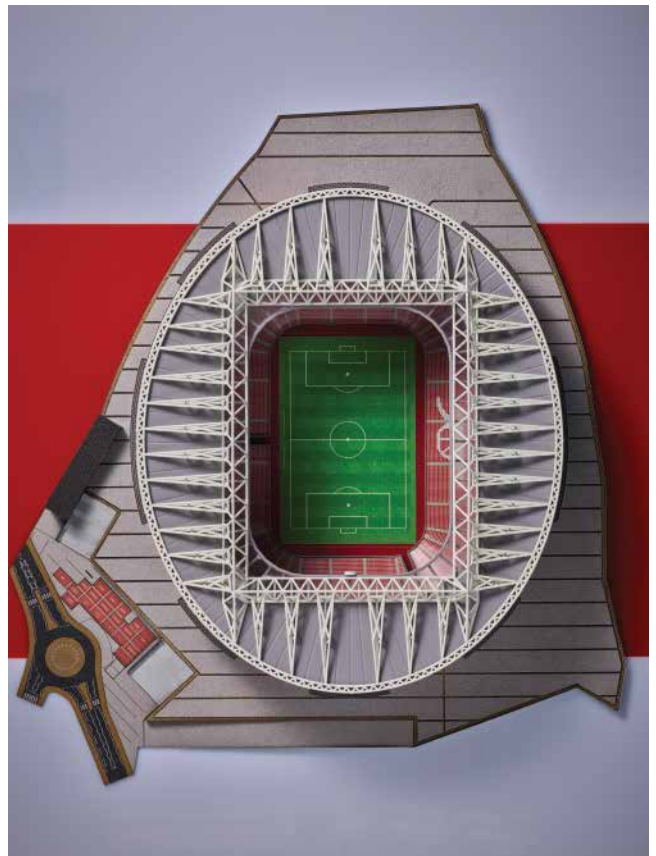
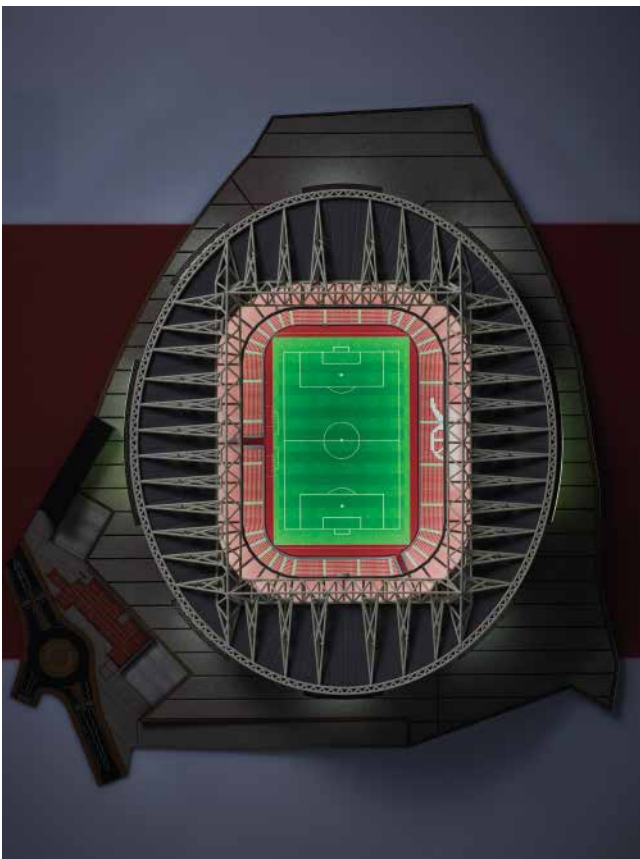
EMIRATES STADIUM ARSENAL F.C, LONDON

The Emirates Stadium, the impressive home of Arsenal Football Club, is located in the heart of North London. This iconic stadium model is one of our most detailed replicas, meticulously recreating the unique roof, iconic clocks, and other remarkable features.

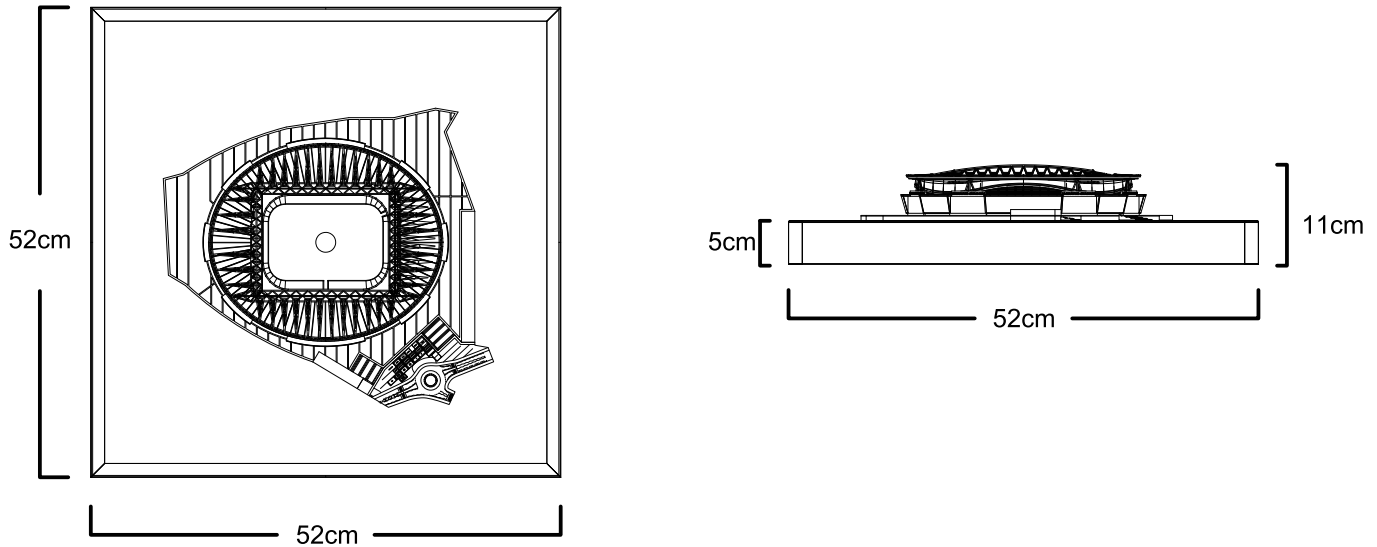
Located in the London district of Islington, the Emirates Stadium has been the home of the famous club since its opening on July 22, 2006. The opening match was an emotional farewell match for Arsenal legend Dennis Bergkamp, played against his former club Ajax. With a capacity of 60,338 spectators, the Emirates Stadium succeeded Highbury, the iconic old stadium known as 'The Home of Football.' A significant piece of history was brought over from Highbury: the famous 'Clock End' clock, which had served for nearly 70 years, was prominently featured in the new stadium.

Along with a new clock, it became a key characteristic of the Emirates Stadium. In our model, both clocks and the distinctive roof design have been replicated in great detail, using innovative printing techniques to capture the stadium's iconic shapes and structures accurately. This stadium has been the home of countless unforgettable moments in Arsenal's history and plays a central role in London's football culture. The Emirates Stadium symbolizes the evolution of the club and the passionate spirit of Arsenal fans.





SIZING



Dimensions: 55 cm x 55 cm x 11 cm
Weight Premium Edition: Approx. 8 kg

Material:

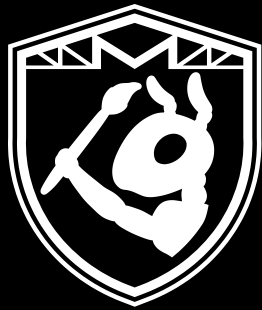
Base Plate – Acrylic
Frame – Solid Wood
Stadium – 3D printed parts, created with various technologies
Decals – PVC-free stickers
Lighting – LED strips
Power Supply – USB cable, wall adapter not included

Stadiums For Ants uses advanced LED techniques to realistically light their miniature stadiums. The field lighting is provided by precise (white) LED spotlights, creating a lifelike appearance on the field. Around the stadium, diffused ambient lighting creates a natural, atmospheric glow. The entire setup runs efficiently on 5 volts and is powered directly via a wall adapter, ensuring stable and safe energy supply.

Maintenance:

Frame/Plate – Clean with a dry cloth, no cleaning products

Stadium – Do not clean the stadium itself. Only use compressed air to remove dust



STADIUMS FOR ANTS

To learn more about the project and stay updated
with new models, visit our official website:

www.stadiumsforants.com

Lijnbaansgracht 56a
1015GS Amsterdam
Mail: info@stadiumsforants.com