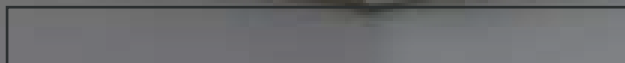




SAN SIRO, AC MILAN

LIMITED EDITION

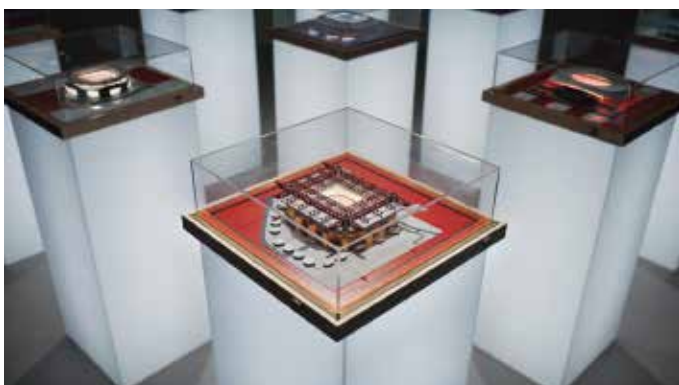


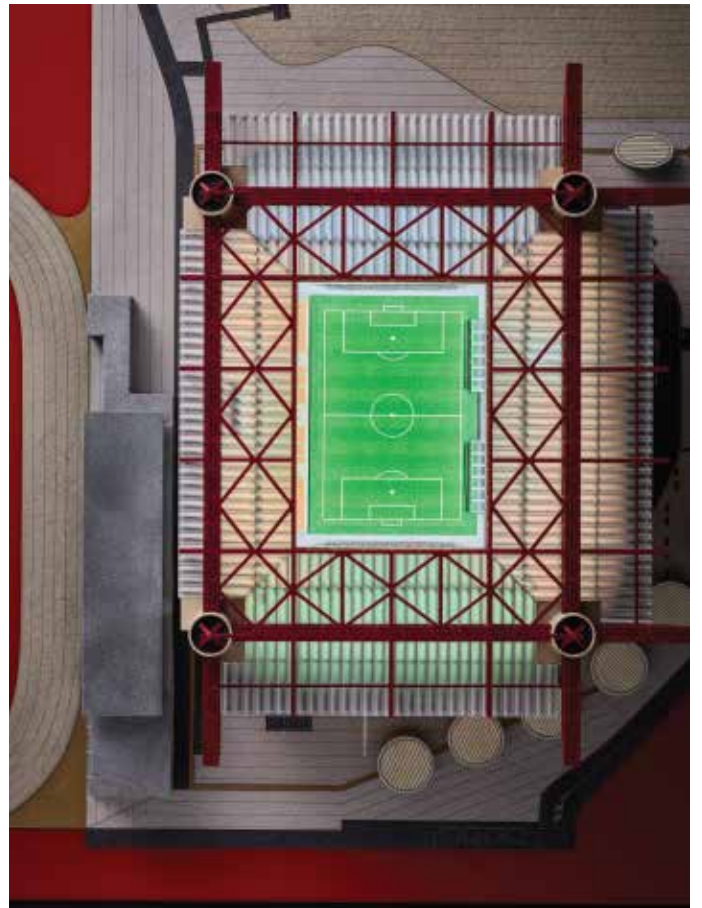
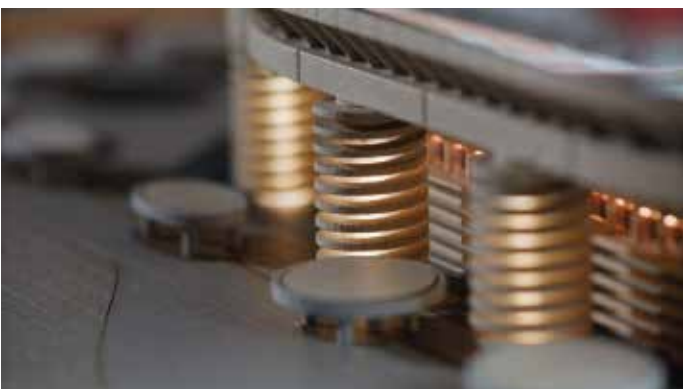
SAN SIRO, AC MILAN

San Siro, the iconic home stadium of AC Milan, is a symbol of Italian football history. This detailed miniature captures the majestic structure of San Siro, from the famous concrete towers to the impressive red roof. A must-have for every true Rossoneri fan!

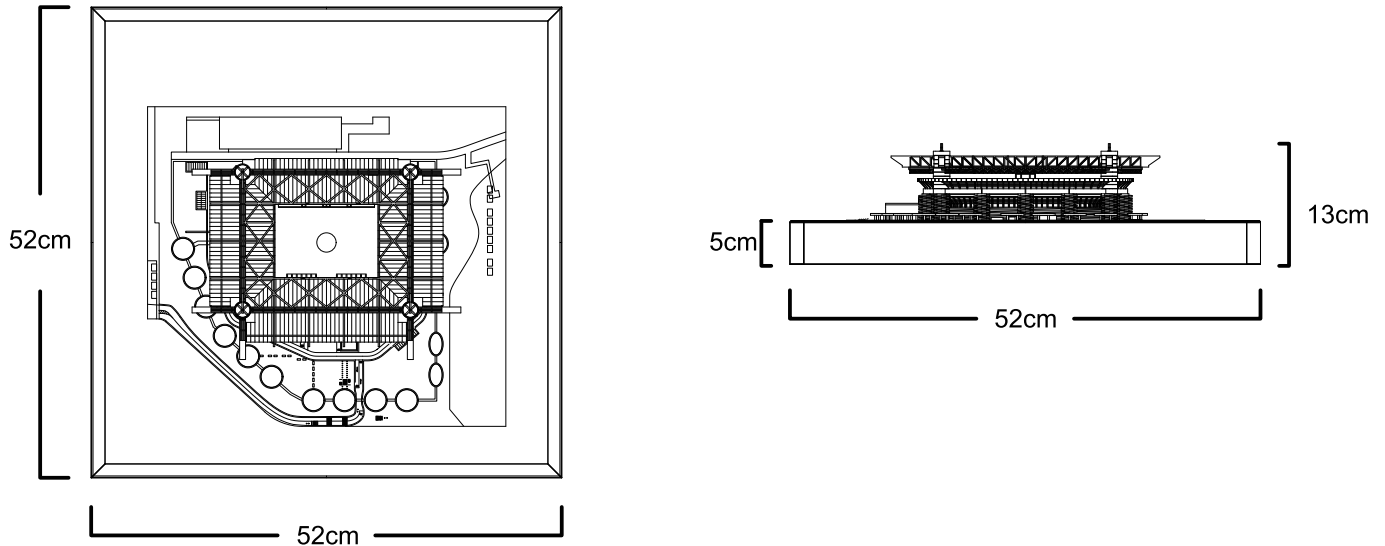
Opened in 1925, San Siro is one of the most legendary stadiums in the world and has undergone several renovations since. Until 1980, it was known as “Giuseppe Meazza” Stadium, named after the famous AC Milan player. After renovations in 1987, it was renamed to San Siro, which later served as one of the main venues for the 1990 FIFA World Cup. With a capacity of over 80,000 seats, San Siro is one of the largest and most impressive stadiums in Europe. This stadium is the proud home of both AC Milan and FC Internazionale Milano, two of the biggest clubs in world football.

The impressive architecture of San Siro consists of eleven massive concrete towers that support an iconic, robust structure, with a huge red lattice roof that gives the stadium its unique appearance. This extraordinary roof design has been meticulously recreated by Stadiums For Ants, making this miniature stadium a true eye-catcher. Over the years, San Siro has witnessed many legendary moments, including the emotional farewell of Marco van Basten. The Dutch star, who was crowned World Player of the Year, retired from professional football at this stadium, forever linking it with AC Milan and ‘his’ tifosi.





SIZING



Dimensions: 55 cm x 55 cm x 13 cm
Weight Premium Edition: Approx. 8 kg

Material:

Base Plate – Acrylic

Frame – Solid Wood

Stadium – 3D printed parts, created with various technologies

Decals – PVC-free stickers

Lighting – LED strips

Power Supply – USB cable, wall adapter not included

Stadiums For Ants uses advanced LED techniques to realistically light their miniature stadiums. The field lighting is provided by precise (white) LED spotlights, creating a lifelike appearance on the field. Around the stadium, diffused ambient lighting creates a natural, atmospheric glow. The entire setup runs efficiently on 5 volts and is powered directly via a wall adapter, ensuring stable and safe energy supply.

Maintenance:

Frame/Plate – Clean with a dry cloth, no cleaning products

Stadium – Do not clean the stadium itself. Only use compressed air to remove dust



STADIUMS FOR ANTS

To learn more about the project and stay updated
with new models, visit our official website:

www.stadiumsforants.com

Lijnbaansgracht 56a
1015GS Amsterdam
Mail: info@stadiumsforants.com